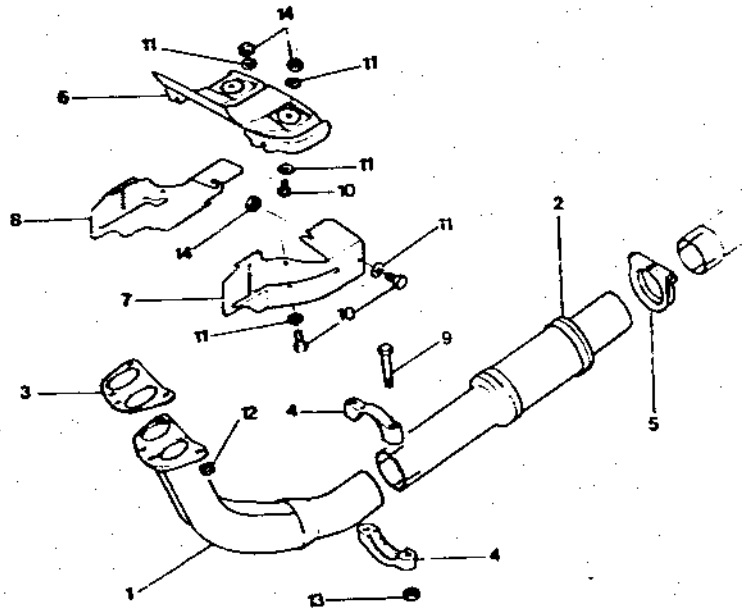


26/11/90
 3191 06-1830-11
 PAGE : 1
 F06 ↓

ECHAPPEMENT AVANT
 AUSPUFFANLAGE VORN
 EXHAUST FRONT
 ESCAPE DELANTERO
 SCARICO ANTERIORE



6. 182.11
 A103011

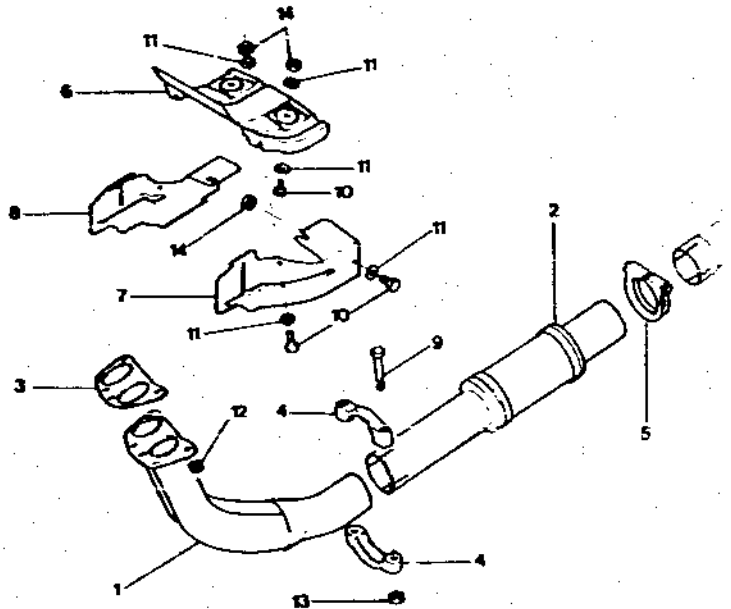
BERLINE BREAK 2,5L INJECTION

01	5 434 129 RP 95636180 DEO 7903027329 (01)	01	TUYAU AV ECH AUSPUFFROHR V. EXHAUST FT PIPE TUBO AV ECH TUBO ANT.SCARIC	02	75 492 604	01	FLEXIBLE ECH WELLE FLEXIBLE PIPE TUBO FLEXIBLE FLESSIBILE
	95 609 311	01	-BVA DEO 4-7903027329	03	95 494 588	01	JOINT TUYAU AV ROHRDICHTUNG V. FRT PIPE GASKET JUNTA TUBO AV GUARNIZIONE
	95 636 181	01	-BVA DEO 4-7903027329	04	79 03 083 222	02	DIAM 51,5 ▶ 4010
				05	79 03 083 460	01	DIAM 52 4011 ▶
				06	95 555 406	01	AV ECRAN THERMIQUE WAERMEABLEITBL HEAT SHIELD PANTALLA TERM SCHERMO TERMICO
				07	95 555 404	01	G- AV
				08	95 555 405	01	AV D
				09	79 03 201 038	02	DIAM 8X1,25-50 VIS TH SCHRAUBE CAPSCREW TORNILLO TH VITE
				10	79 03 201 139	04	DIAM 6X1,00-16
				11	22 363 019	04	DIAM 6X14X1,5 RONDELLE SCHEIBE PISTON WASHER ARANDELA RONDELLA
				12	26 159 369	04	HE 8 ECROU MUTTER PIPE NUT TUERCA DADO
				13	79 03 232 031	02	HE 8X1 25 ECROU HEXAGONAL SECHSKANTMUTTER HEXAGONAL NUT TUERCA DADO ESAGONALE

.../...

26/11/89
 3191 06-1830-11
 PAGE : 2
 FOS ↓

ECHAPPEMENT AVANT
 AUSPUFFANLAGE VORN
 EXHAUST FRONT
 ESCAPE DELANTERO
 SCARICO ANTERIORE



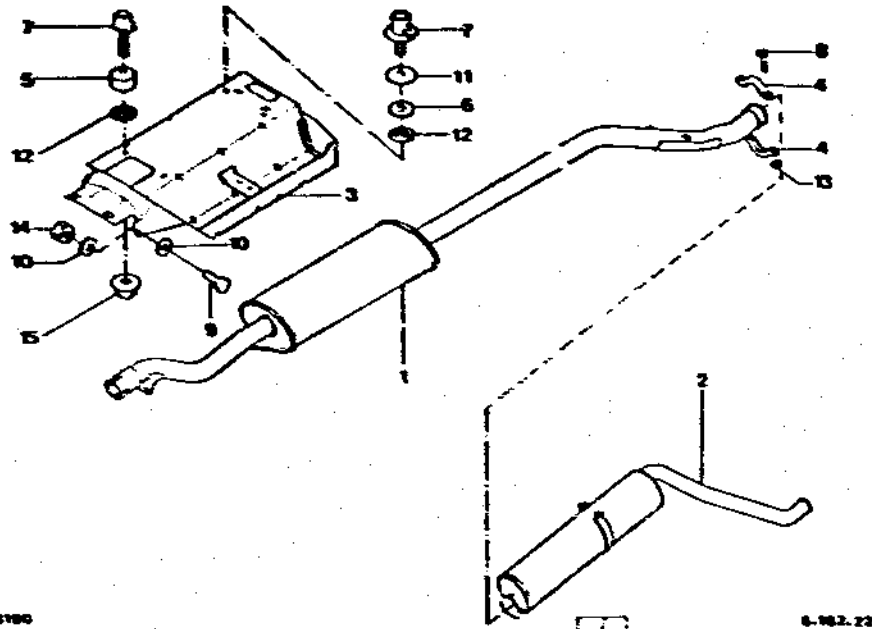
6. 182.11
 X183011

BERLINE BREAK 2,5L INJECTION

14	79 03 032 009 RP 25260019	02 HE 6 X 1,00	ECKOU HEXAGONAL SECHSKANTMUTTER HEXAGONAL NUT TUERCA DADO ESAGONALE
----	------------------------------	----------------	---------------------------------------------------------------------------------

281140
3191 06-1842-13
PAGE : 1
M15 ↓

ECHAPPEMENT ARRIERE
AUSPUFFANLAGE HINTEN
EXHAUST REAR PART
ESCAPE TRAS. PARTE TRASERA
SCERICO POST. PARTE POSTERIORE



WIMETAL
BERLINE BREAK 2.5L INJECTION

01	95 610 048	01 BERLINE	POT DE DETENTE AUSPUFFTOPF EXHAUST DAMPER SILENCIADOR COL MARMITTA ESPANS	02 25 543 645	01 BREAK	SILENCIEUX AR SCHALLDAEMPF H EXH RR MUFFLER SILENCIOSO AR SILENZIATORE PO
	95 610 049	01 -PRESTIGE LIMOU BREAK		03 25 555 409	01	ECRAN THERMIQUE WAERMEABLETTBL HEAT SHIELD PANTALLA TERM SCHERMO TERMICO
02	95 543 644	01	SILENCIEUX AR SCHALLDAEMPF H EXH RR MUFFLER SILENCIOSO AR SILENZIATORE PO	04 25 483 762	02	DEMI-COLLIER SCHELLENHAELFTE HALF CLAMP SEMI ABRAZADERA SEMIFASCETTA
				05 5 479 555	02 DIAM INT 9 -21.5 AV	ENTRETOISE ABSTANDSSTUECK PIPE SPACER DISTANCIADOR Distanziale
				06 5 479 556	02 AR DIAM INT 9 -5	
				07 26 163 019	02 DIAM 6 LON 33 AV	COUJON STENBOLZEN STUD ESPARRAGO PERNO
				26 163 009	02 AR	
				08 79 03 201 038	02 DIAM 8X1.25-50	VIS TH SCHRAUBE CAPSCREW TORNILLO TH VITE
				09 79 03 001 035 RP 7903201021	02 DIAM 6X1.00-16	
				10 22 363 019	02 DIAM 6X14X1.5	RONDELLE SCHEIBE PISTON WASHER ARANDELA RONDELLA
				11 22 783 019	02 DIAM 8.5X10-2	RONDELLE PLATE FLACHSCHEIBE PLAIN WASHER ARANDELA PLANA RONDELLA PIATTA

26/11/90
 3191 06-1848-13
 PAGE : 2
 H14 ↓

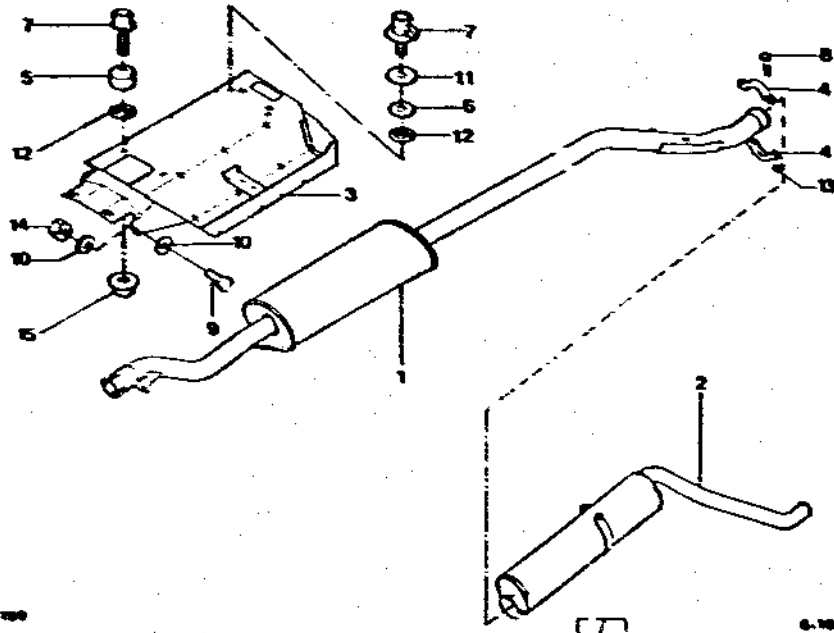
ECHAPPEMENT ARRIERE
 AUSPUFFANLAGE, HINTEN
 EXHAUST, REAR PART
 ESCAPE TRAS. PARTE TRASERA
 SCERICO POST. PARTE POSTERIORE

15

79 03 033 009

04 R6 X 1,00

ECROU A EMBASE
 MUTTER
 NUT WITH BASE
 TUERCA CON BASE
 DADO A BASETTA

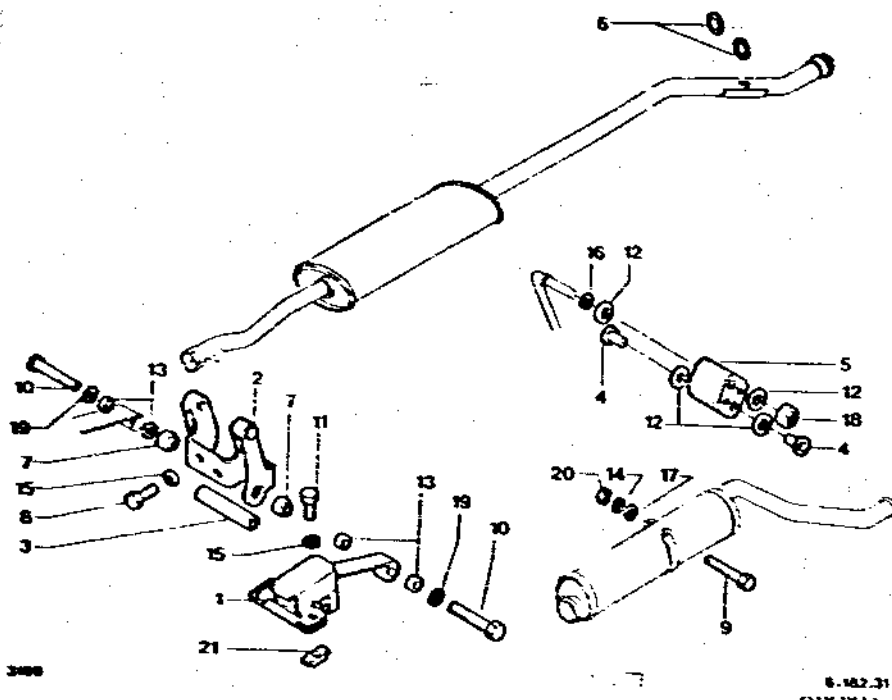


WINETAL
 BERLINE BREAK 2,5L INJECTION

12	26 135 728 RP 7903080045	04	RONDELLE SCHEIBE PIPE WASHER ARANDELA RONDELLA
13	79 03 032 018 RP 7903232017	02 DIAM 8X1,25-6,5	ECROU HEXAGONAL SECHSKANTMUTTER HEXAGONAL NUT TUERCA DADO ESAGONALE
14	79 03 032 009 RP 25260019	02 HE 6 X 1 00	

26/11/90
 3191 06-1849-11
 PAGE : 1
 H02 ↓

ECHAPPEMENT ARRIERE - FIXATION
 AUSPUFFANLAGE HINTEN - BEFESTIGUNG
 EXHAUST REAR - SECURING
 ESCAPE ATRAS - SUJECION
 SCARICO POSTERIORE - FISSAGIO



BERLINE BREAK 2,5L INJECTION
 ▶ 3341

- NOTA: REPERE 11 N-F-P

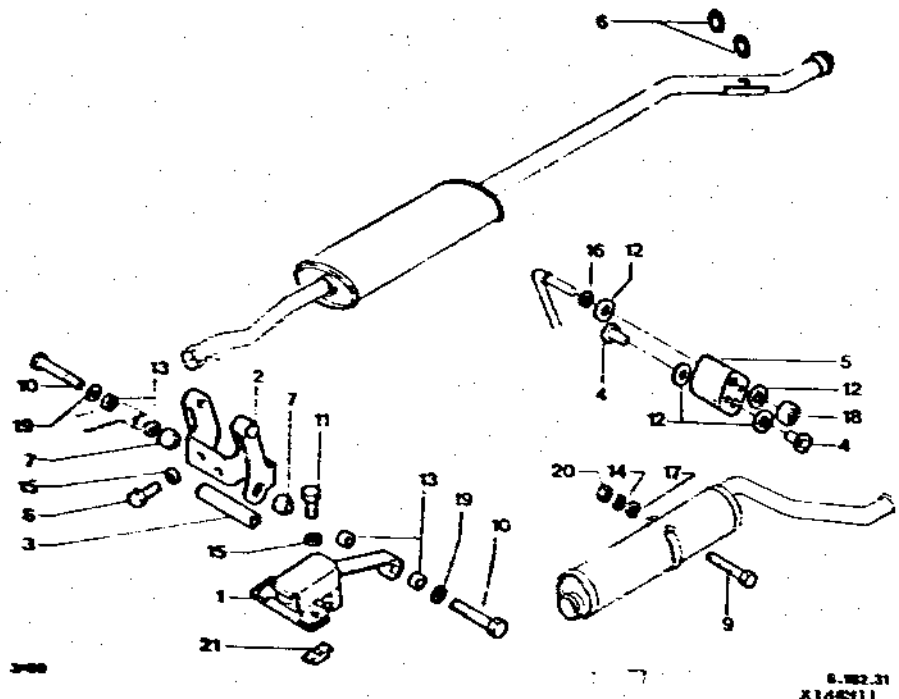
31	5 454 100	02 AV	SUPPORT HALTERUNG EXHAUST MOUNTG SOPORTE SUPPORTO
02	5 451 286	01	

03	5 453 775	01	DIAM 10X67,9	ENTRETOISE ABSTANDSSTUECK PIPE SPACER DISTANCIADOR DISTANZIALE
04	5 468 256	02	DIAM 9X12X20-34	
05	95 536 150	01		SUPPORT HALTERUNG EXHAUST MOUNTG SOPORTE SUPPORTO
06	5 481 691	02	DIAM - 36 5X68 -ATMOSPHERE POUSSIERES	
07	5 451 291	02	DIAM 10X22X19 ELAST	ENTRETOISE ABSTANDSSTUECK SPACER JUEGO DISTANCIA DISTANZIALE
08	79 03 201 150	02	DIAM 8X1,25 - 20	VIS TH SCHRAUBE CAPSCREW TORNILLO TH VITE
09	79 03 201 095	01	DIAM 8X1,25-90	
10	79 03 201 645	02	DIAM 10X1,25-70	
12	5 451 297	04	DIAM 12,3X25	RONDELLE SCHEIBE PIPE WASHER ARANDELA RONDELLA
13	26 192 649	02	DIAM 10X18-1,5	
14	79 03 056 014	01	DIAM 8,5X14	RONDELLE A DENT ZAHNSCHEIBE SPRING WASHER ARANDELA RONDELLA DENTAT
15	79 03 058 030	10	DIAM 8X18X1,4	
16	22 662 019	01	DIAM 12,5X22 EP 2,4	RONDELLE PLATE FLACHSCHEIBE PLAIN WASHER ARANDELA PLANA RONDELLA PIATTA
17	79 03 053 418	02	8,5X20 E1,5	

.../...

26/11/90
 3191 06-1849-11
 PAGE : 2
 H01 →

ECHAPPEMENT ARRIERE - FIXATION
 AUSPUFFANLAGE HINTEN - BEFESTIGUNG
 EXHAUST REAR - SECURING
 ESCAPE ATRAS - SUJECION
 SCARICO POSTERIORE - FISSAGIO



BERLINE BREAK 2.5L INJECTION
 ▶ 3341

14	26 240 479	01	RONDELLE SCHEIBE PIPE WASHER ARANDELA RONDELLA
19	79 03 056 017	02	DIAM 10.5X16.8 RONDELLE GROWER GROWERSCHEIBE SPRING WASHER ARANDELA RONDELLA GROWER

20
21

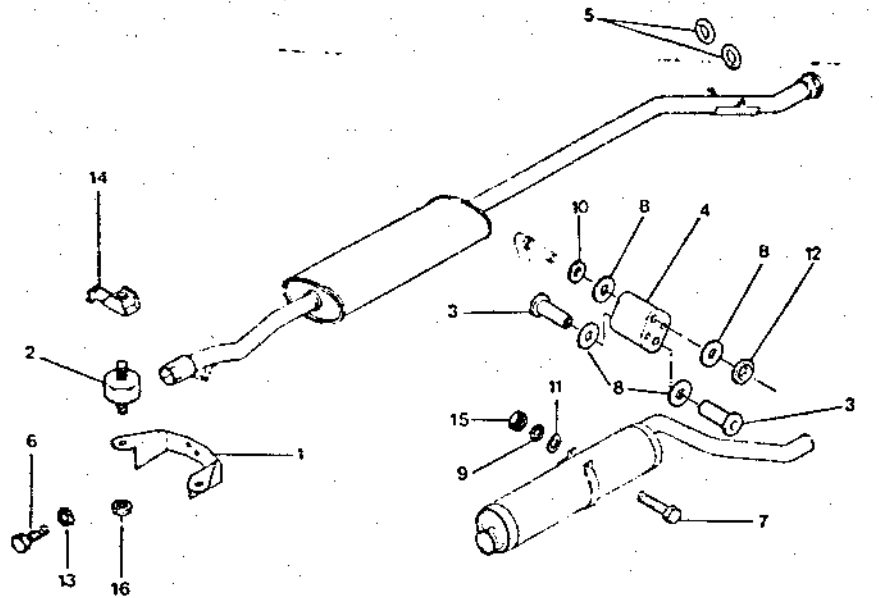
79 03 032 017
 RP 96995857
 79 03 232 017
 95 640 489

01 HE 8X1,25
 01 DIAM 8X1,25 - 6,5
 04 8X1,25

ECROU HEXAGONAL
 SECHSKANTMUTTER
 HEXAGONAL NUT
 TUERCA
 DADO ESAGONALE
 ECROU EN CAGE
 KAEFIGMUTTER
 CAGED NUT
 TUERCA EN CAJA
 DADO IN GABBIA

26/11/90
 3191 06-1849-13
 PAGE : 1
 JO2 ↑

ECHAPPEMENT ARRIERE - FIXATION
 AUSPUFFANLAGE HINTEN - BEFESTIGUNG
 EXHAUST REAR - SECURING
 ESCAPE ATRAS - SUJECION
 SCARICO POSTERIORE - FISSAGIO



3790

04786

6.982.33

ALPINE

BERLINE BREAK 2,5L INJECTION
 3342 ▶

01	95 613 696	01	SUPPORT HALTER PIPE BRACKET SOPORTE SUPPORTO
02	95 613 672	02	
03	5 458 256	02	DIAM 9X12X20-34 ENTRETOISE ABSTANDSTUECK PIPE SPACER DISTANCIADOR DISTANZIALE

04	95 536 150	01	SUPPORT HALTERUNG EXHAUST MOUNTG SOPORTE SUPPORTO
05	5 481 691	02	DIAM - 36 5X68
06	79 03 201 032 RP 23795019	02	DIAM 8X1,25-20 VIS TH SCHRAUBE CAPSCREW TORNILLO TH VITE
07	79 03 201 095	01	DIAM 8X1,25-90
08	5 451 297	04	DIAM 12,3X25 RONDELLE SCHEIBE PIPE WASHER ARANDELA RONDELLA
09	79 03 056 014	01	DIAM 8,5X14 RONDELLE A DENT ZAHNSCHEIBE SPRING WASHER ARANDELA RONDELLA DENTAT
10	22 662 009	01	RONDELLE PLATE FLACHSCHEIBE PLAIN WASHER ARANDELA PLANA RONDELLA PIATTA
11	79 03 053 418	02	8,5X20 E1,5
12	26 240 479	01	RONDELLE SCHEIBE PIPE WASHER ARANDELA RONDELLA
13	79 03 058 030	02	DIAM 8X18X1,4 RONDELLE A DENT ZAHNSCHEIBE SPRING WASHER ARANDELA RONDELLA DENTAT
14	26 158 989 RP 95640489	02	CAGE 8X1,25 ECROU EN CAGE KAEFIGMUTTER CAGED NUT TUERCA EN CAJA DADO IN GABBIA

.../...

26/11/90
 3191 06-1849-13
 PAGE : 2
 J03 ↑

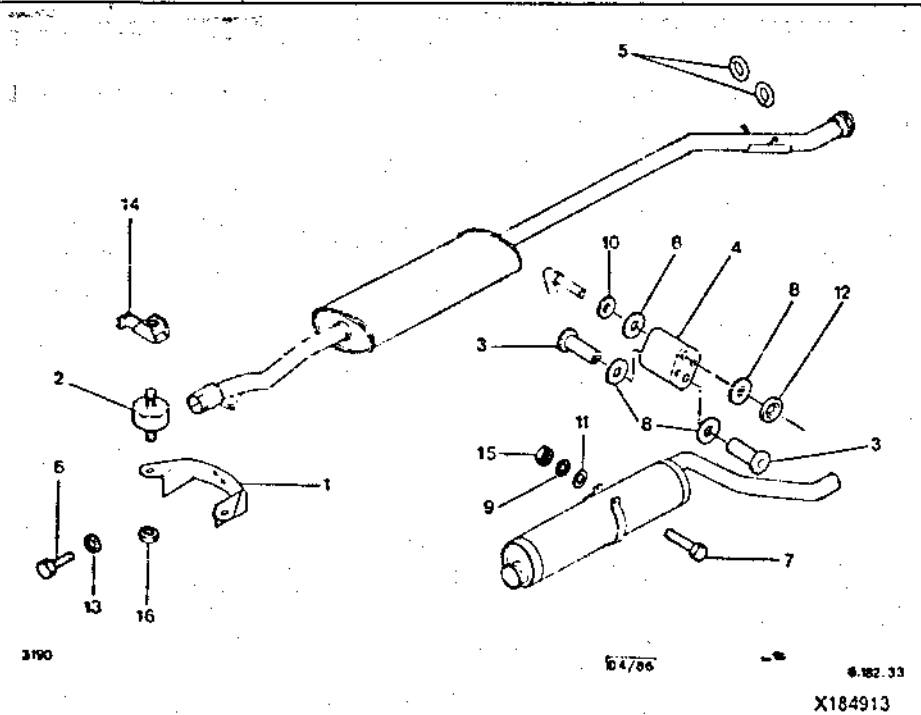
ECHAPPEMENT ARRIERE - FIXATION
 AUSPUFFANLAGE HINTEN - BEFESTIGUNG
 EXHAUST REAR - SECURING
 ESCAPE ATRAS - SUJECION
 SCARICO POSTERIORE - FISSAGIO

16

79 03 033 007

02 DIAM 8X1,25

ECROU FREIN
 STOP-MUTTER
 SELF LOCKG NUT
 TUERCA FRENADA
 DADO FRENI



BERLINE BREAK 2,5L INJECTION
 3342 ▶

15	79 03 032 018	01 DIAM 8X1,25-6,5	ECROU HEXAGONAL
	RP 7903232017		SECHSKANTMUTTER
			HEXAGONAL NUT
			TUERCA
			DADO ESAGONALE
16	79 03 033 012	02 HERI M8X1,25	ECROU A EMBASE
			MUTTER
			NUT WITH BASE
			TUERCA CON BASE
			DADO A BASETTA